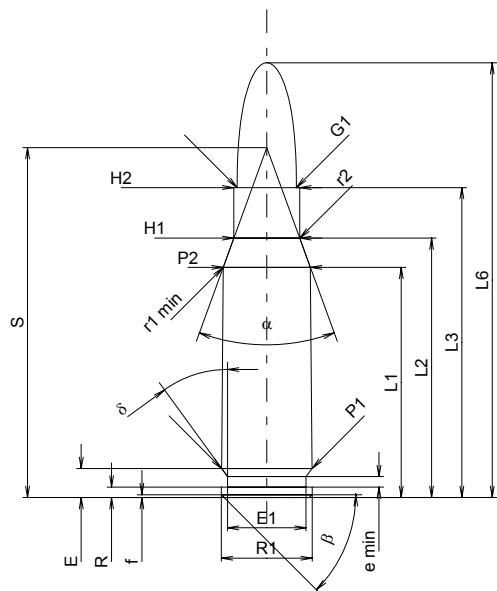


C.I.P.

308 EH

TAB. I
Date 89-09-20

Country of Origin: FR

Revision 02-05-15

CARTRIDGE MAXI
Lengths

| | | | |
|------------------|---|-------|-------|
| L1 ¹⁾ | = | 30.45 | -0.20 |
| L2 ¹⁾ | = | 34.31 | -0.20 |
| L3 ¹⁾ | = | 41.00 | |
| L4 | = | | |
| L5 | = | | |
| L6 | = | 57.50 | |

Case Head

| | | | |
|-------|---|-------|--|
| R | = | 1.37 | |
| R1 | = | 12.01 | |
| R3 | = | | |
| E | = | 3.85 | |
| E1 | = | 10.39 | |
| e min | = | 1.40 | |
| delta | = | 36° | |
| f | = | 0.38 | |
| beta | = | 45° | |

Powder Chamber

| | | | |
|--------------------|---|-------|-------|
| P1 | = | 11.96 | |
| P2 ¹⁾ * | = | 11.53 | -0.20 |

Junction Cone

| | | | |
|--------|---|-----------|--|
| alpha | = | 40°00'06" | |
| S | = | 46.29 | |
| r1 min | = | 0.76 | |
| r2 | = | 3.18 | |

Collar

| | | | |
|------------------|---|------|--|
| H1* | = | 8.72 | |
| H2 ¹⁾ | = | 8.72 | |

Projectile

| | | | |
|--------------------|---|-------|--|
| G1 ¹⁾ | = | 7.85 | |
| G2 | = | | |
| F | = | | |
| L3+G ¹⁾ | = | 48.04 | |

Pressures (Energies)
Method Transducer

| | | | |
|------|---|------------|--|
| Pmax | = | 3800 bar | |
| PK | = | 4370 bar | |
| PE | = | 4750 bar | |
| M | = | 25.00 | |
| EE | = | 3920 Joule | |

Miscellaneous Dimensions

| | | | |
|------------------|---|------|--|
| Fe ¹⁾ | = | 0.15 | |
| delta L | = | 0.10 | |

CHAMBER MINI
Lengths

| | | | |
|------------------|---|-------|--|
| L1* | = | 30.31 | |
| L2* | = | 34.11 | |
| L3 ¹⁾ | = | 41.26 | |

Breech

| | | | |
|----|---|-------|--|
| R | = | | |
| R1 | = | 12.03 | |
| R2 | = | | |
| R3 | = | | |
| r | = | | |

Powder Chamber

| | | | |
|------------------|---|-------|--|
| E | = | 3.85 | |
| P1 ¹⁾ | = | 11.99 | |
| P2* | = | 11.56 | |

Junction Cone

| | | | |
|---------------------|---|-----------|--|
| alpha ¹⁾ | = | 40°03'03" | |
| S | = | 46.17 | |
| r1 max | = | 0.76 | |
| r2 | = | 3.76 | |

Collar

| | | | |
|------------------|---|------|--|
| H1* | = | 8.79 | |
| H2 ¹⁾ | = | 8.74 | |

Commencement of Rifling

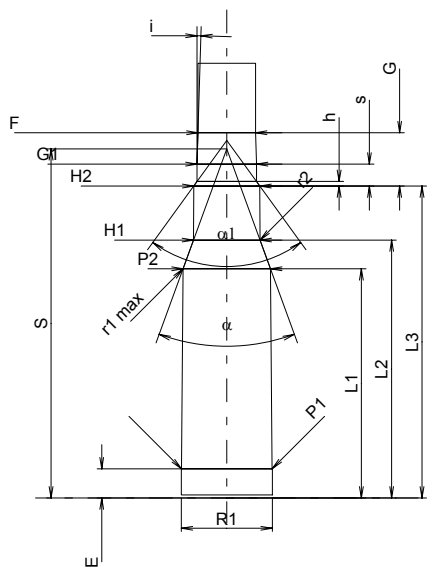
| | | | |
|--------------------|---|-----------|--|
| G1 ¹⁾ * | = | 7.87 | |
| G ¹⁾ * | = | 7.04 | |
| alpha1 | = | 71°52'48" | |
| h | = | 0.60 | |
| s* | = | 2.89 | |
| i ¹⁾ | = | 1°43'31" | |
| w | = | | |

Barrel

| | | | |
|-------------------|---|------|--|
| F ¹⁾ * | = | 7.62 | |
| Z ¹⁾ | = | 7.82 | |

Grooves

| | | | |
|---|---|--------|-----------------|
| b | = | 4.47 | |
| N | = | 4 | |
| u | = | 305.00 | |
| Q | = | 47.51 | mm ² |



Scale 1:1

 Dimensions in << mm >>
 Dimensions and Tolerances for Proof Barrels
 see Appendix CR 1.

 Notes: 1) Check for safety reasons
 * Basic dimensions